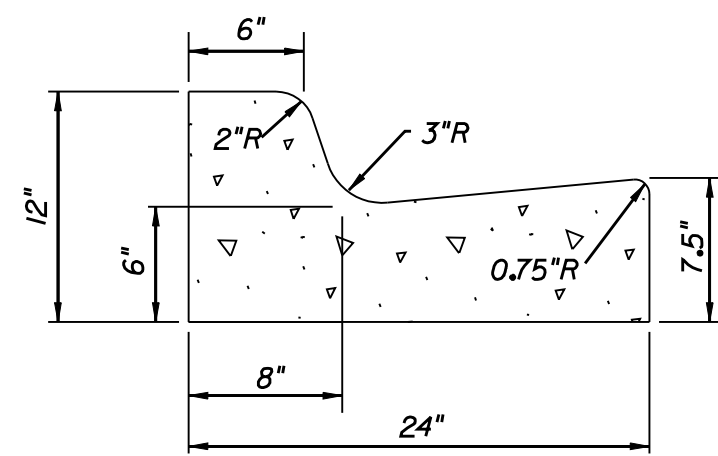


TYPE D CURB

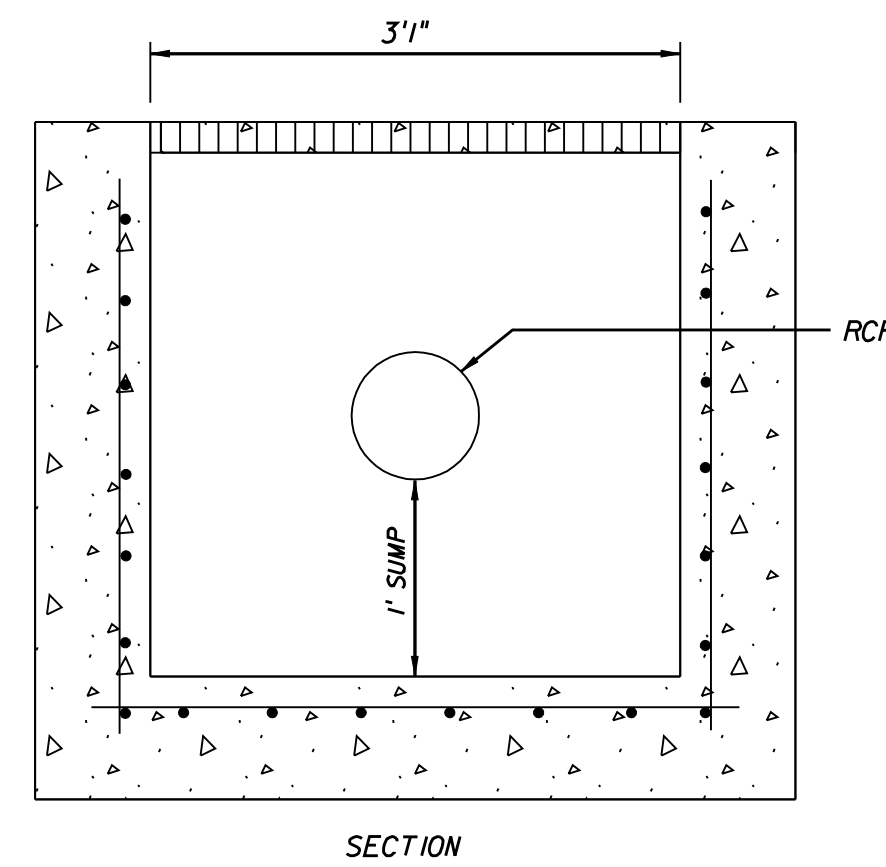
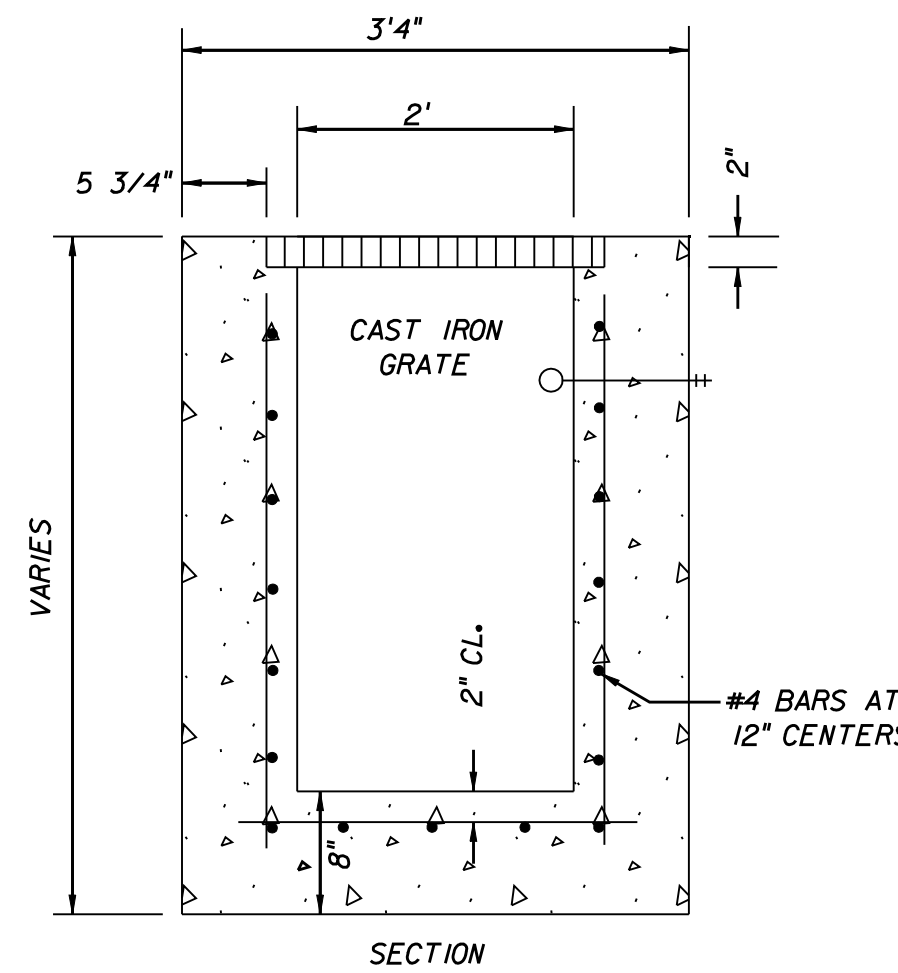
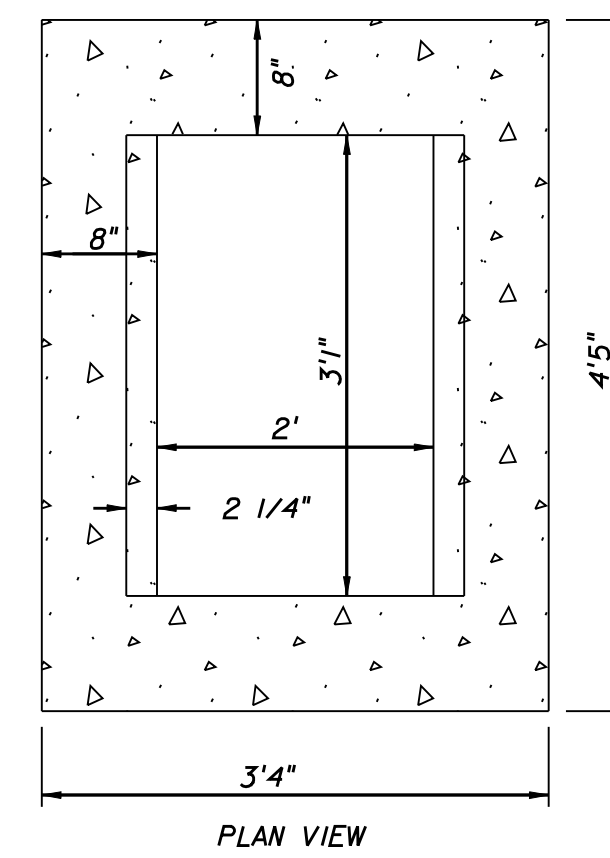


TYPE F CURB

CURB DETAILS

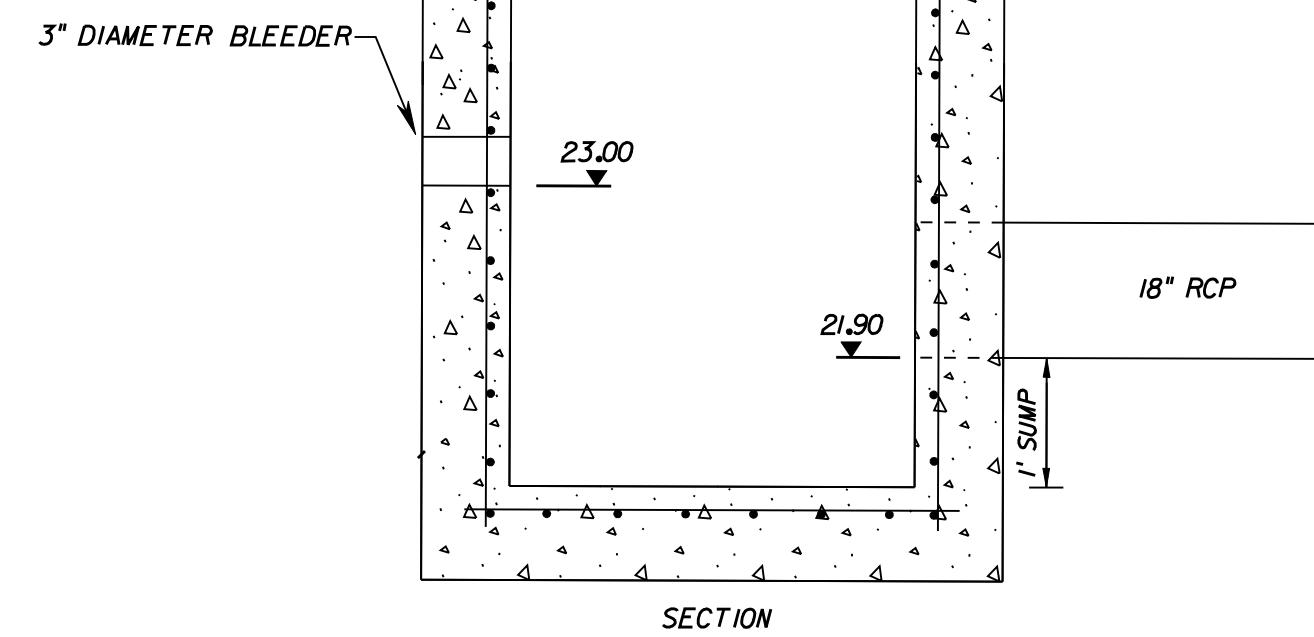
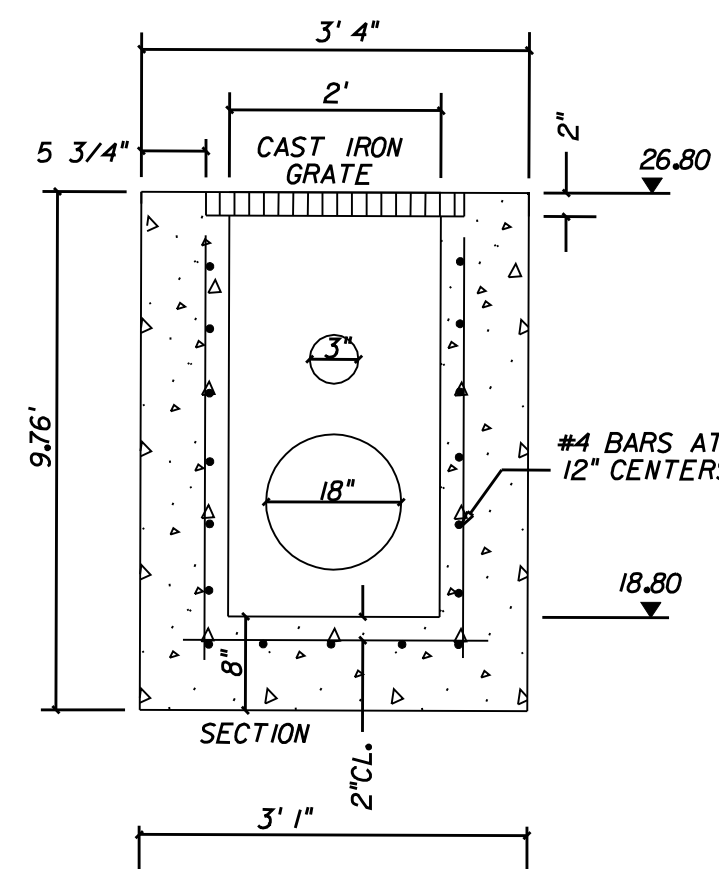
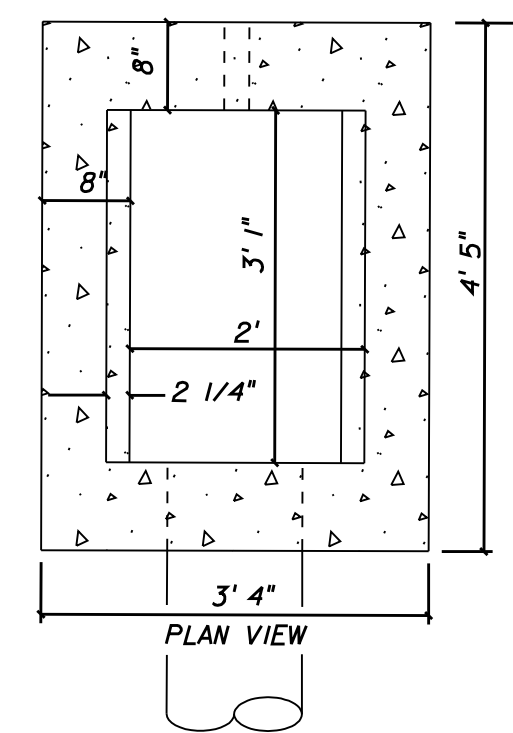
SEE FDOT STANDARD INDEX 300 FOR ADDITIONAL INFORMATION

NOTE: SAWCUTS REQUIRED AT 10' CENTERS WITHIN 24-36 HOURS OF PLACEMENT



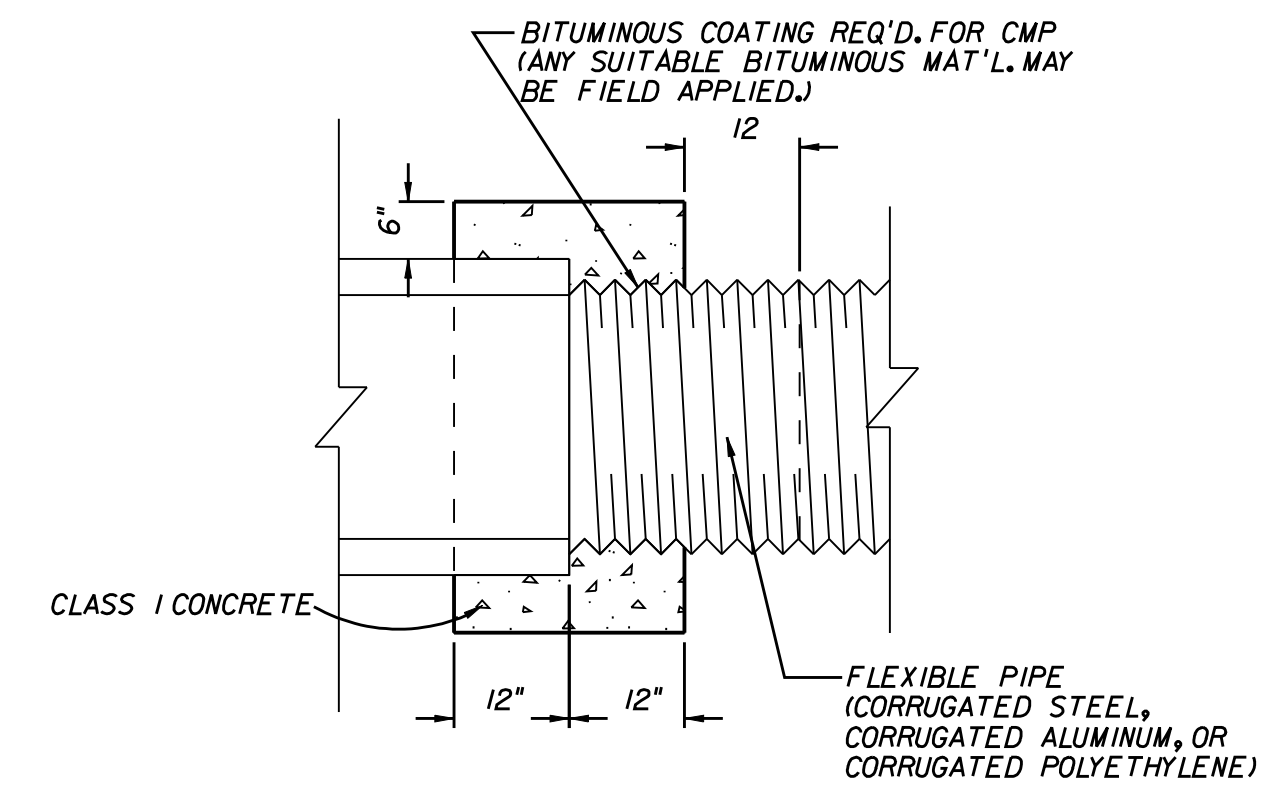
TYPE "C" INLET

NOTE: SEE FDOT STANDARD INDEXES 201, 232 FOR ADDITIONAL INFORMATION N. T. S.



ON-SITE CONTROL STRUCTURE (TYPE "C" INLET)

NOTE: SEE FDOT STANDARD INDEXES 201, 232 FOR ADDITIONAL INFORMATION N. T. S.

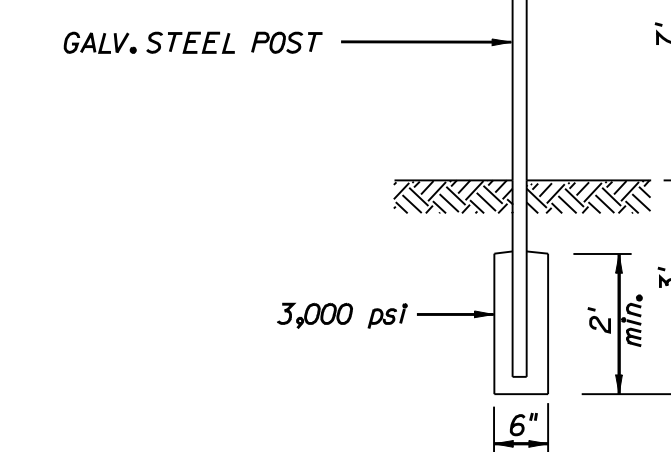


CONCRETE PIPE COLLAR

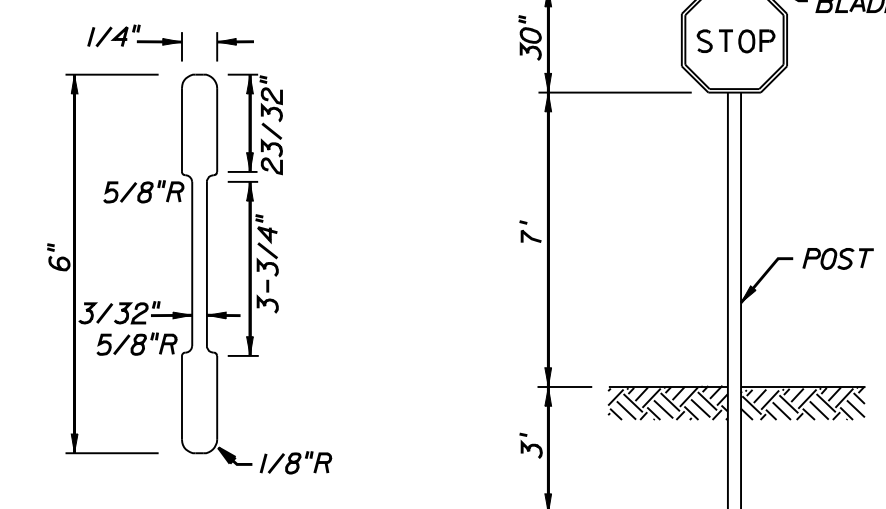
N. T. S.

NOTE: COST OF CONCRETE AND BITUMINOUS COATING TO BE INCLUDED IN CONTRACT UNIT PRICE FOR EITHER NEW PIPE OR MITERED END SECTION. A CONCRETE JACKET SHALL NOT BE USED TO JOIN: (A) METAL PIPE OF DISSIMILAR MATERIALS (B) FLEXIBLE PIPE WHEN THE MINIMUM COVER REQ'D. IN ACCORDANCE WITH INDEX NO. 205 CANNOT BE OBTAINED.

SYMBOLS, COLORS, AND LETTERING PER D.O.T. AND A.D.A. DOT #FTP-25



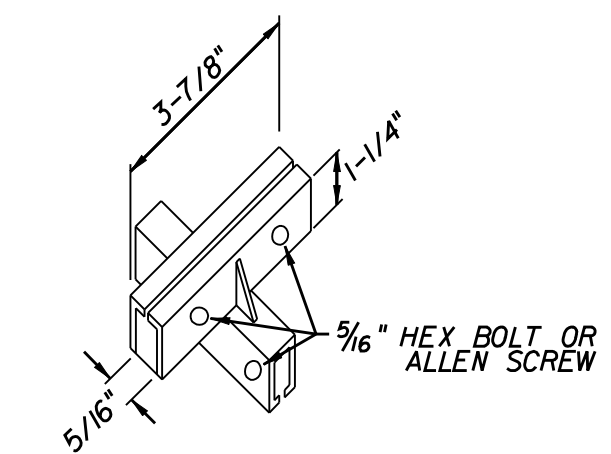
HANDICAP SIGN DETAIL



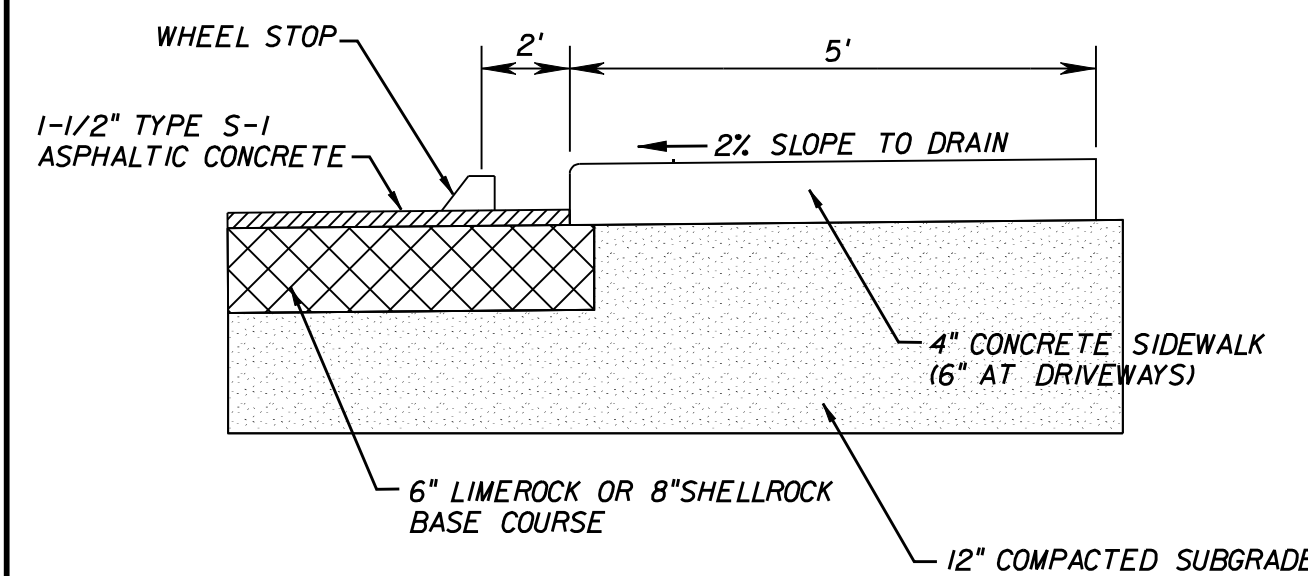
EXTRUDED BLADE SECTION

GENERAL SPECIFICATIONS:

EXT. BLADE: ALCOA #86054.6063-T6 ALLOY, ETCHED, DEGREASED WITH #1200 ALODINE FINISH WITH #2277 GREEN SCOTCHLITE BACKGROUND OR EQUAL DIMENSIONS - 6"H, 24", 30" OR 36"L. LETTERS: NAME - 4" SERIES 'B' #2270 SCOTCHLITE (SILVER) OR EQUAL - SUFFIX - 2" SERIFS AS ABOVE. BRACKETS: SEE DETAILS THIS SHEET POST: STEEL FLANGED CHANNEL POST WITH BAKED GREEN ALKYD OR GALVANIZED FINISH PER A.S.T.M. - A-123, WITHOUT ANCHOR PLATES. STOP SIGN: RI - 1 MUTCD - 30" 30" (HIGH INTENSITY) LOCATION: ONE PER INTERSECTION AS INDICATED ON THE PLANS.



EXT. 90° CROSS W/ LOCKING SLOTS



NOTES:

SIDEWALKS TO BE PORTLAND CEMENT CONCRETE, MINIMUM COMPRESSIVE STRENGTH OF 3000 PSI @ 28 DAYS.

BASE TO BE A MINIMUM 6" OF CLEAN SAND COMPACTED TO 95% OF THE AASHTO T-99 DENSITY.

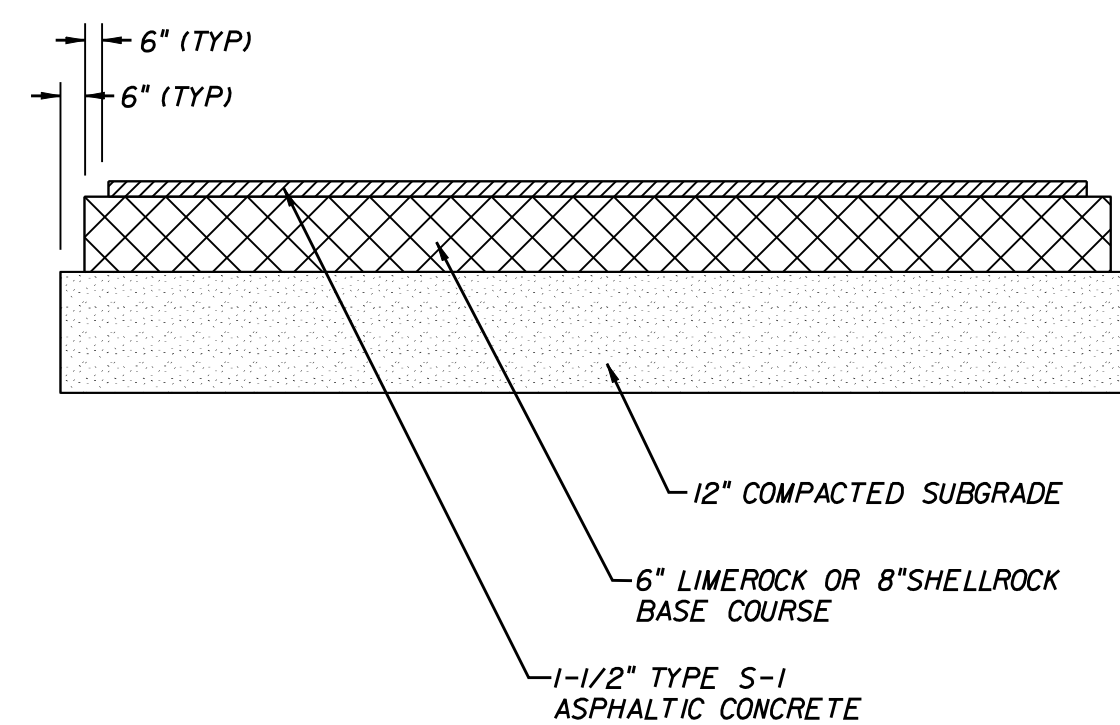
SIDEWALKS TO BE BROOM FINISHED WITH EVEN, DUSTLESS SURFACE.

SIDEWALKS SHALL BE 4" THICK EXCEPT AT DRIVEWAYS WHERE THE THICKNESS SHALL BE 6".

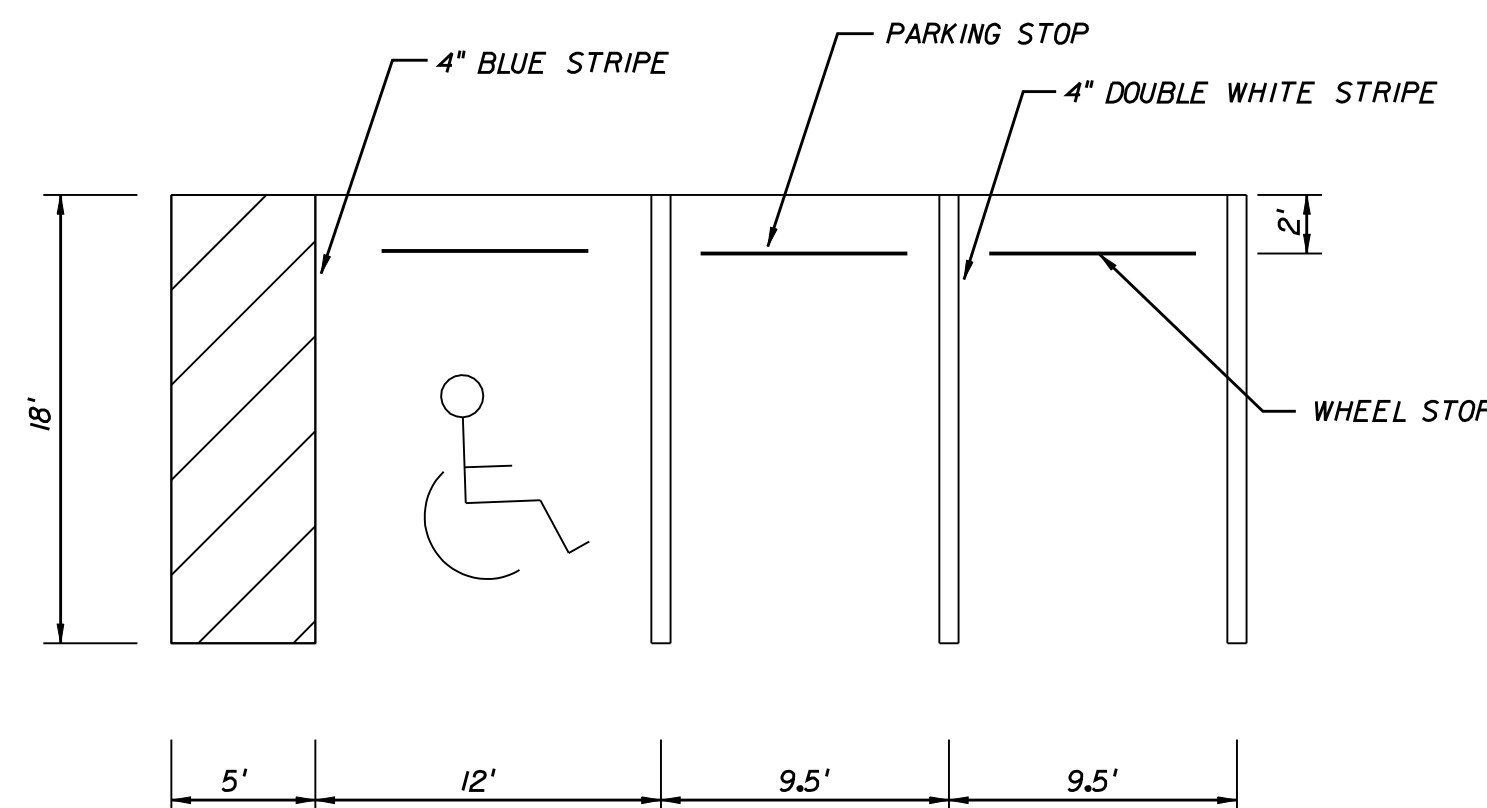
TYPE "A" JOINTS SHALL BE PLACED AT 20' CENTERS ON SIDEWALKS, AT P.C.'S AND P.T.'S OF CURVES, JUNCTIONS OF EXISTING AND NEW SIDEWALKS AND WHERE SIDEWALKS ABUT CONCRETE CURBS, DRIVEWAYS AND SIMILAR STRUCTURES.

TYPE "B" JOINTS SHALL BE PLACED AT 5' CENTERS ON SIDEWALKS. ALSO REFER TO FDOT INDEX 310

SIDEWALK DETAIL



ON-SITE PAVEMENT SECTION



TYPICAL PARKING SPACES

DATE	BY	REVISION
09-18-2007	EST	SITE PLAN AMENDMENT
10-18-2007	MFS	SITE PLAN RE-SUBMITTAL
01-28-2008	MFS	PER CITY OF PORT ST. LUCIE COMMENTS
02-27-2008	MFS	PER CITY OF PORT ST. LUCIE COMMENTS
03-04-2008	MFS	PER CITY OF PORT ST. LUCIE COMMENTS

MICHAEL F. SEXTON, P.E.
FL. REG. NO. 28558
DATE _____

CITY OF PORT ST. LUCIE
PROJECT NO. P07-279

SEXTON ENGINEERING ASSOCIATES, INC.

CONSULTING ENGINEERS AND SURVEYORS

12300 SOUTH SHORE BOULEVARD, SUITE 210
WELLINGTON, FLORIDA 33414
PHONE 561-792-3122 FAX 561-792-3168

ENGINEERING BUSINESS NO. 1864

GATLIN BOULEVARD CENTER
FOR STERLING BANK
PORT ST. LUCIE, FLORIDA

PAVING & DRAINAGE
DETAILS

PROJ. NO. 1395 DATE 07/31/2007
SCALE N.T.S. SHEET 9 OF 12